

Inline terminal - IB IL 24/230 DOR4/W-PC-PAC - 2862181

Please be informed that the data shown in this PDF Document is generated from our Online Catalog. Please find the complete data in the user's documentation. Our General Terms of Use for Downloads are valid (<http://phoenixcontact.com/download>)



Inline, Relay terminal, Relay output: 4 (floating contacts), 24 V DC / 230 V AC, 3 A, for switching inductive and capacitive loads, transmission speed in the local bus: 500 kbps, degree of protection: IP20, including Inline connectors and marking fields

Product Description

The terminal is designed for use within an Inline station. It has four floating SPDT relay contacts, which are independent of one another.

Your advantages

- Safe isolation
- Nominal current at the output: 3 A
- Total current of the terminal: 3 A
- Diagnostic and status indicators



Key Commercial Data

Packing unit	1 pc
GTIN	 4 017918 894672
GTIN	4017918894672
Weight per Piece (excluding packing)	224.500 g
Custom tariff number	85389091
Country of origin	Germany

Technical data

Note

Utilization restriction	EMC: class A product, see manufacturer's declaration in the download area
-------------------------	---

Dimensions

Inline terminal - IB IL 24/230 DOR4/W-PC-PAC - 2862181

Technical data

Dimensions

Width	48.8 mm
Height	119.8 mm
Depth	71.5 mm
Note on dimensions	Housing dimensions

Ambient conditions

Ambient temperature (operation)	-25 °C ... 55 °C
Ambient temperature (storage/transport)	-25 °C ... 85 °C
Permissible humidity (operation)	75 % ... 85 % (in the range of -25°C ... +55°C, appropriate measures against increased humidity (> 85%) must be taken.)
Permissible humidity (storage/transport)	75 % ... 85 % (slight temporary condensation may sometimes appear on the housing)
Air pressure (operation)	70 kPa ... 106 kPa (up to 3000 m above sea level)
Air pressure (storage/transport)	70 kPa ... 106 kPa (up to 3000 m above sea level)
Degree of protection	IP20

General

Mounting type	DIN rail
Color	gray
Net weight	138 g
Note on weight specifications	without plug

Interfaces

Designation	Inline local bus
No. of channels	2
Connection method	Via data marshalling
Transmission speed	500 kbps

Inline potentials

Designation	Communications power (U_t)
Supply voltage	7.5 V DC (via voltage jumper)
Current consumption	max. 187 mA

Digital outputs

Output name	Relay output
Output description	SPDT relay contact
Connection method	Spring-cage connection
Number of outputs	4 (floating contacts)
Nominal output voltage	24 V DC
	230 V AC
Maximum output current per channel	3 A

Inline terminal - IB IL 24/230 DOR4/W-PC-PAC - 2862181

Technical data

Electrical isolation

Test section	Relay contact / Bus logics 4 kV 50 Hz 1 min.
	Contact/contact 1 kV 50 Hz 1 min.
	Contact / PE 1 kV 50 Hz 1 min.

Standards and Regulations

Connection in acc. with standard	CUL
Protection class	I (IEC 61140, EN 61140, VDE 0140-1)

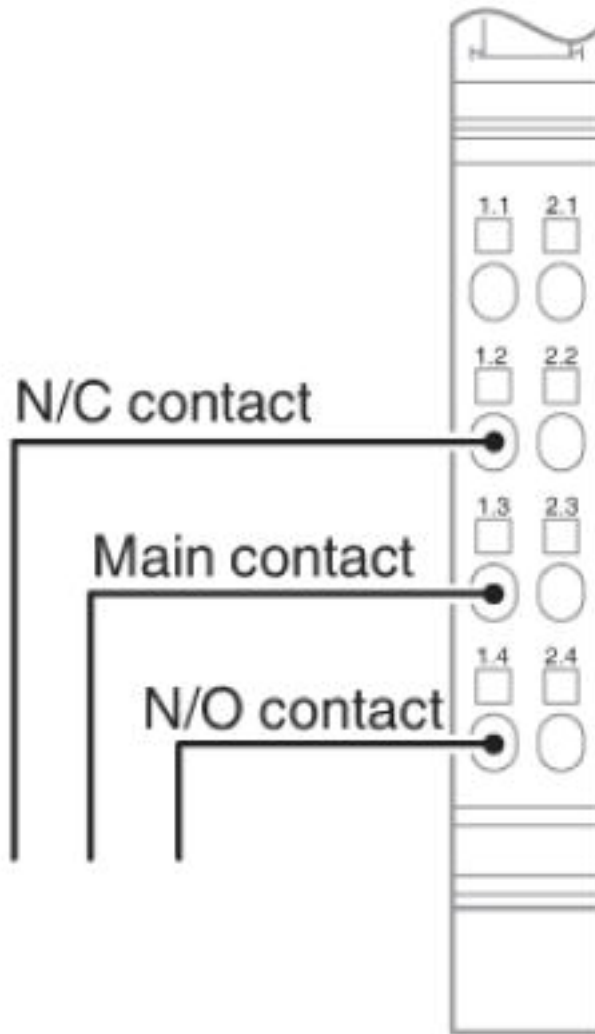
Environmental Product Compliance

China RoHS	Environmentally Friendly Use Period = 50
	For details about hazardous substances go to tab "Downloads", Category "Manufacturer's declaration"

Drawings

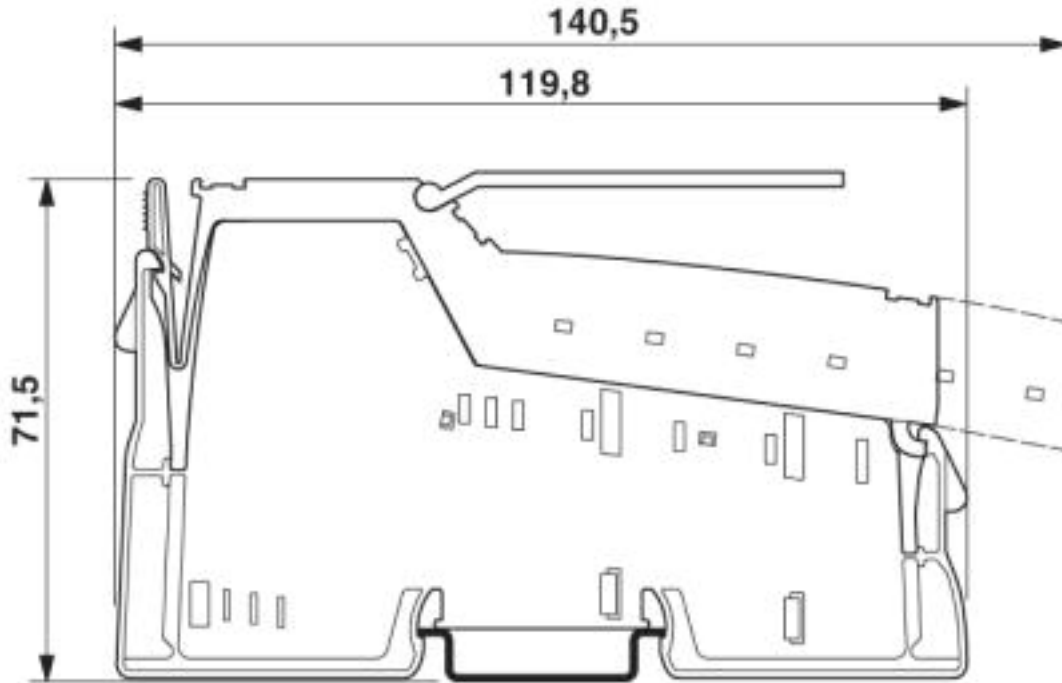
Inline terminal - IB IL 24/230 DOR4/W-PC-PAC - 2862181

Connection diagram



Inline terminal - IB IL 24/230 DOR4/W-PC-PAC - 2862181

Dimensional drawing



Classifications

eCl@ss

eCl@ss 4.0	27250300
eCl@ss 4.1	27250300
eCl@ss 5.0	27250300
eCl@ss 5.1	27242600
eCl@ss 6.0	27242600
eCl@ss 7.0	27242604
eCl@ss 8.0	27242604
eCl@ss 9.0	27242604

ETIM

ETIM 2.0	EC001430
ETIM 3.0	EC001599
ETIM 4.0	EC001599
ETIM 5.0	EC001599
ETIM 6.0	EC001599
ETIM 7.0	EC001599

Inline terminal - IB IL 24/230 DOR4/W-PC-PAC - 2862181

Classifications

UNSPSC

UNSPSC 6.01	43172015
UNSPSC 7.0901	43201404
UNSPSC 11	43172015
UNSPSC 12.01	43201404
UNSPSC 13.2	32151602

Approvals

Approvals

Approvals

UL Recognized / cUL Recognized / EAC / cULus Recognized

Ex Approvals

Approval details

UL Recognized		http://database.ul.com/cgi-bin/XYV/template/LISEXT/1FRAME/index.htm	FILE E 140324
---------------	--	---	---------------

cUL Recognized		http://database.ul.com/cgi-bin/XYV/template/LISEXT/1FRAME/index.htm	FILE E 140324
----------------	--	---	---------------

EAC		EAC-Zulassung
-----	--	---------------

cULus Recognized	
------------------	--

Accessories

Accessories

Connector set

Inline terminal - IB IL 24/230 DOR4/W-PC-PAC - 2862181

Accessories

Connector set - IB IL DOR LV-PLSET - 2742667



Connector set for distance terminal

Distance terminal

Inline terminal - IB IL DOR LV-SET - 2742641



Inline distance terminal, without accessories

Inline terminal - IB IL DOR LV-SET-PAC - 2861645



Inline distance terminal, complete with accessories

Inline terminal - IB IL DOR LV-SET - 2742641



Inline distance terminal, without accessories

Labeling panel

Labeling field - IB IL FIELD 2 - 2727501

Labeling field, width: 12.2 mm



Inline terminal - IB IL 24/230 DOR4/W-PC-PAC - 2862181

Accessories

Labeling field - IB IL FIELD 8 - 2727515

Labeling field, width: 48.8 mm



Plug

Inline connector - IB IL SCN-8-AC-REL - 2740290



Plug, for digital 1, 2 or 8-channel Inline terminals with AC voltage

Terminal marking

Insert strip - ESL 62X10 - 0809492



Insert strip, Sheet, white, unlabeled, can be labeled with: Office printing systems: Laser printer, mounting type: insert, lettering field size: 62 x 10 mm, Number of individual labels: 72

Insert strip - ESL 62X46 - 0809502



Insert strip, Sheet, white, unlabeled, can be labeled with: Office printing systems: Laser printer, mounting type: insert, lettering field size: 62 x 46 mm, Number of individual labels: 120
